

# ADA Bathroom Guidelines

All Code References are taken from the  
ICC/ANSI A117.1-2009

## 604 Water Closets and Toilet Compartments

**604.1 General.** Accessible water closets and toilet compartments shall comply with Section 604.

**604.2 Location.** The water closet shall be located with a wall or partition to the rear and to one side. The centerline of the water closet shall be 16 inches (405 mm) minimum to 18 inches (455 mm) maximum from the side wall or partition. Water closets located in ambulatory accessible compartments specified in Section 604.10 shall have the centerline of the water closet 17 inches (430 mm) minimum to 19 inches (485 mm) maximum from the side wall or partition.

### 604.3 Clearance.

**604.3.1 Size.** A clearance around a water closet 60 inches (1525 mm) minimum, measured perpendicular from the sidewall, and 56 inches (1420 mm) minimum, measured perpendicular from the rear wall, shall be provided.

**604.3.3 Overlap.** The required clearance around the water closet shall be permitted to overlap the water closet, associated grab bars, paper dispensers, sanitary napkin receptacles, coat hooks, shelves, accessible routes, clear floor space at other fixtures and the turning space. No other fixtures or obstructions shall be within the required water closet clearance.

**604.4 Height.** The top of water closet seats shall be 17 inches (430 mm) minimum and 19 inches (485 mm) maximum above the floor or ground. Seats shall not return automatically to a lifted position.

**604.5 Grab Bars.** Grab bars for water closets shall comply with Section 609. Grab bars shall be provided on the rear wall and on the side wall closest to the water closet.

**604.5.1 Fixed Side Wall Grab Bars.** Fixed sidewall grab bars shall be 42 inches (1065 mm) minimum in length, located 12 inches (305 mm) maximum from the rear wall and extending 54 inches (1370 mm) minimum from the rear wall. In addition, a vertical grab bar 18 inches (455 mm) minimum in length shall be mounted with the bottom of the bar located between 39 inches (990 mm) and 41 inches (1040 mm) above the floor, and with the center line of the bar located

between 39 inches (990 mm) and 41 inches (1040 mm) from the rear wall.

**604.5.2 Rear Wall Grab Bars.** The rear wall grab bar shall be 36 inches (915 mm) minimum in length, and extend from the centerline of the water closet 12 inches (305 mm) minimum on the side closest to the wall, and 24 inches (610 mm) minimum on the transfer side.

### 604.6 Flush Controls

Flush Controls shall be hand operated or automatic. Flush Controls shall be located on the open side of the Water Closet.

### 605 Urinals

**605.1 General.** Accessible urinals shall comply with Section 605.

**605.2 Height.** Urinals shall be of the stall type or shall be of the wall-hung type with the rim at 17 inches (430 mm) maximum above the floor or Ground, and 13 ½ inches minimum in depth.

**605.3 Clear Floor or Ground Space.** A clear floor or ground space complying with Section 305 positioned for forward approach shall be provided.

**605.4 Flush Controls.** Flush controls shall be hand operated or automatic. Hand-operated flush controls shall comply with Section 309.

### 606 Lavatories and Sinks

**606.1 General.** Accessible lavatories and sinks shall comply with Section 606.

**606.2 Clear Floor or Ground Space.** A clear floor or ground space complying with Section 305.3, positioned for forward approach, shall be provided. Knee and toe clearance complying with Section 306 shall be provided.

### EXCEPTIONS:

1. A parallel approach shall be permitted to a kitchen sink in a space where a cook top or conventional range is not provided.
2. The dip of the overflow shall not be considered in determining knee and toe clearances.

**606.3 Height and Clearances.** The front of lavatories and sinks shall be 34 inches (865 mm) maximum above the floor or ground, measured to the higher of the fixture rim or counter surface.

**606.4 Faucets.** Faucets shall comply with Section 309. Hand-operated, metering faucets shall remain open for 10 seconds minimum.

**606.6 Exposed Pipes and Surfaces.** Water supply and drainpipes under lavatories and sinks shall be insulated or otherwise configured to protect against contact. There shall be no sharp or abrasive surfaces

under lavatories and sinks.

### 609 Grab Bars

**609.1 General.** Grab bars in accessible toilet or bathing facilities shall comply with Section 609.

**609.2.1 Size.** Grab bars shall have a circular cross section with an outside diameter of 1 ¼ inch (32 mm) minimum and 2 inches (51 mm) maximum.

**609.2.2 Non-Circular Cross Sections.** Grab bars with other shapes shall be permitted provided they have a cross section dimension of 2 inches maximum, and a perimeter dimension of 4 inches minimum and 4.8 inches maximum.

**609.3 Spacing.** The space between the wall and the grab bar shall be 1 ½ inches (38 mm). The space between the grab bar and objects below and at the ends shall be 1 ½ inches (38 mm) minimum. The space between the grab bar and projecting objects above shall be 12 inches (305 mm) minimum.

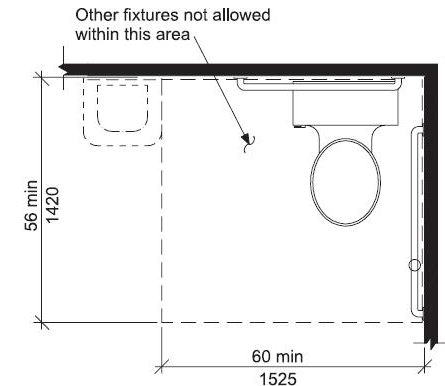


Fig. 604.3  
Size of Clearance for Water Closet

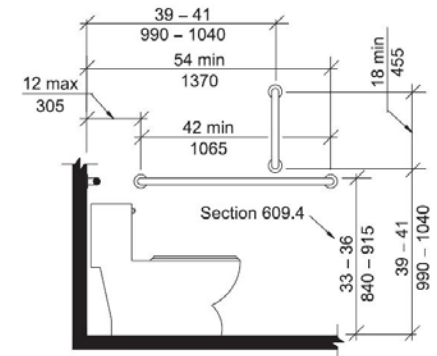


Fig. 604.5.1  
Side Wall Grab Bar for Water Closet



# ADA Bathroom Guidelines ICC/ANSI A117.1-2009

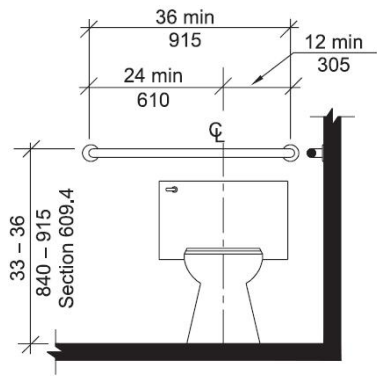
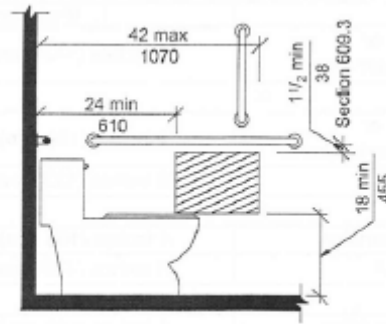
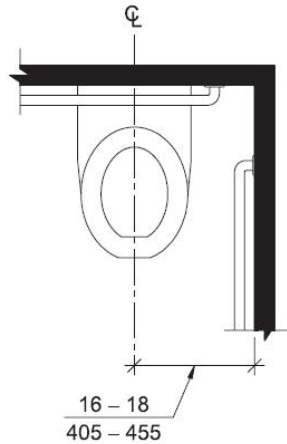


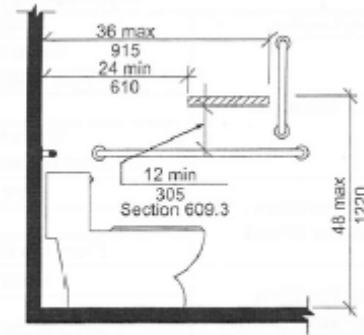
Fig. 604.5.2  
Rear Wall Grab Bar for Water Closet



(a) Protruding Dispenser Below Grab Bar



(a) Accessible Water Closets



(b) Protruding Dispenser Above Grab Bar



## City of Richmond

Department of Codes Enforcement  
239 West Main Street  
Richmond, KY 40475

(859) 625-6404

Monday – Friday  
8:00 AM to 4:30 PM

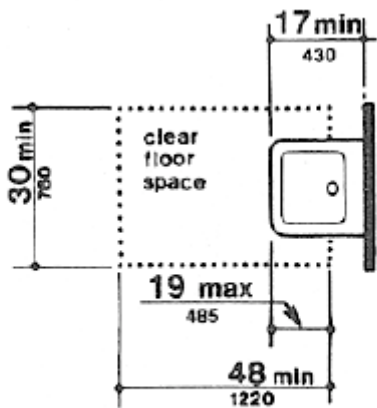


Fig. 32  
Clear Floor Space at Lavatories

